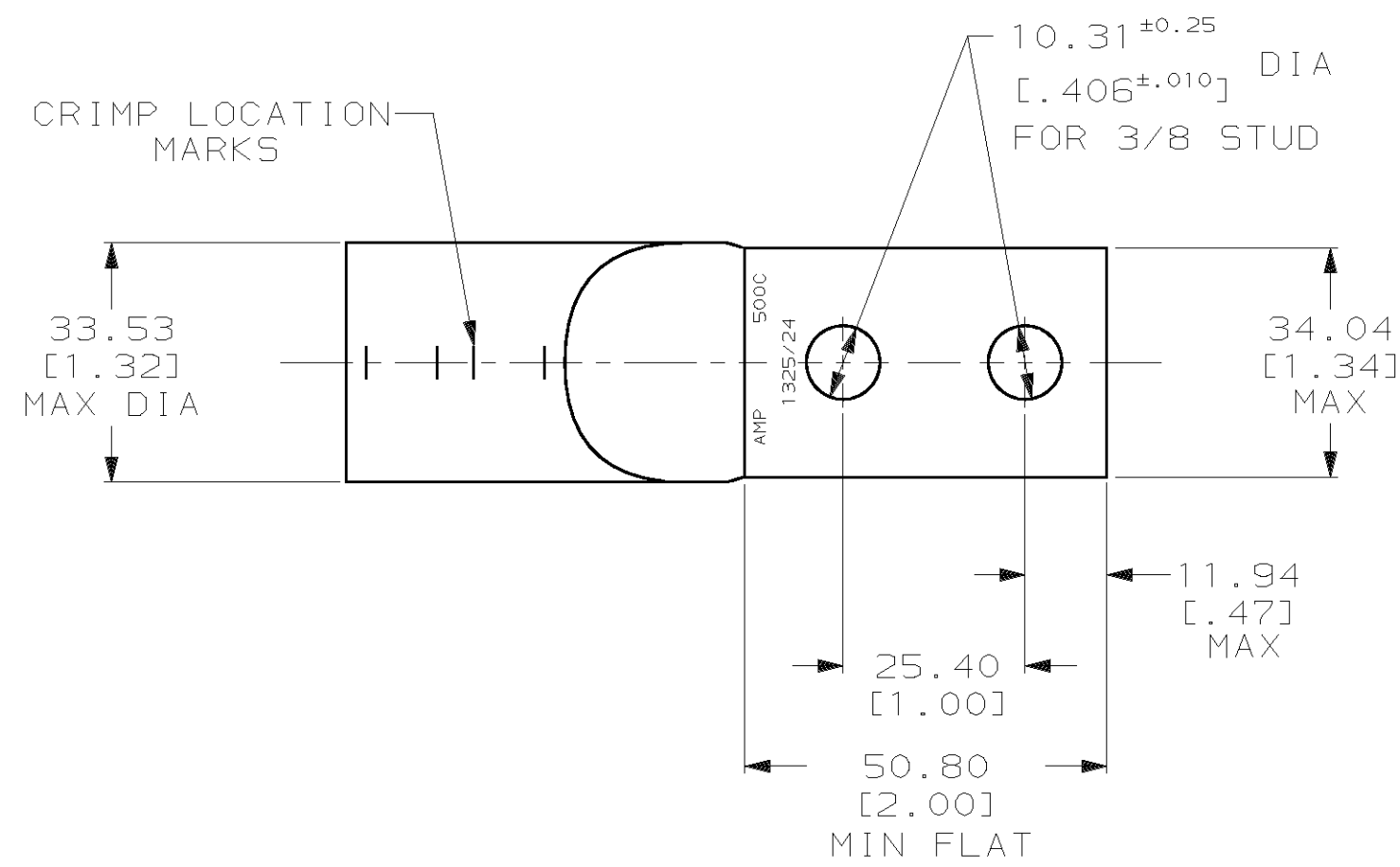
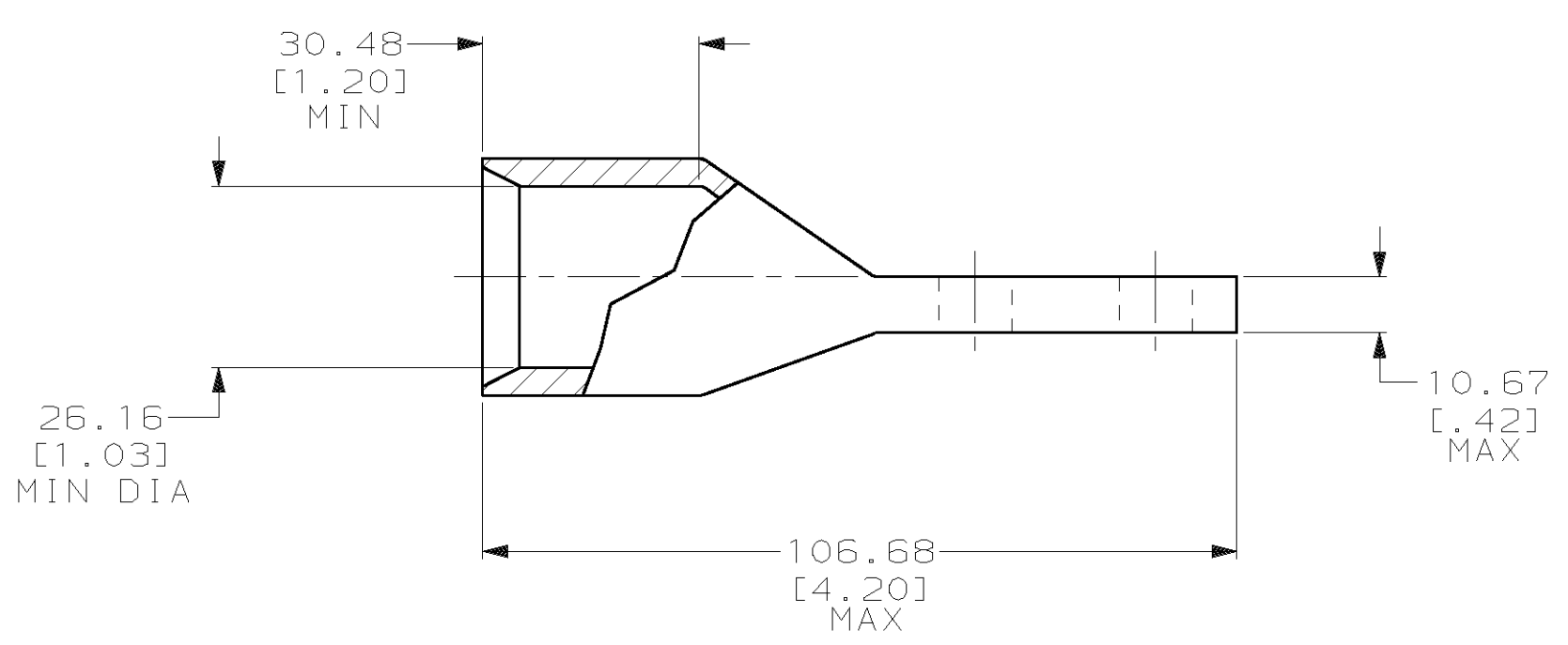


THIS DRAWING IS UNPUBLISHED. RELEASED FOR PUBLICATION, 19 .
 © COPYRIGHT 19 BY AMP INCORPORATED. ALL INTERNATIONAL RIGHTS RESERVED.

LOC		DIST		ZONE		LTR		REVISIONS		DATE	APPD
G	86	P	F					D	REV PER 063A-0561-01	030CT02	JR MS



- 1 TIN PL 0.00381 [.000150] MIN THK PER ASTM B-545
- 2 CRIMP DIES: USE P/N 46756-2 (600 MCM)



METRIC

DO NOT SCALE PRINT. UNLESS SPECIFIED DIMENSIONS IN mm [INCHES] TOLERANCES ON : 2 PLC DEC ± 0.51 [.020] 3 PLC DEC ± - ANGLES ± -		DR 2/6/92 DK SCHRUM		AMP Incorporated Harrisburg, PA 17105-3608	
MATERIAL COPPER PER ASTM B-75 ANNEALED		CHK 2/7/92 AJ KAUFMAN			
FINISH		APPD 2/7/92 WJ VOCKROTH		NAME TERMINAL, CENTER LINE TONGUE, AMPOWER™ WIRE SIZE: 500 HD MCM	
APPLICATIO N SPEC		APPD 2/7/92 CR RHOADS		DRAWING NO 55831	
WEIGHT 279 GRAMS		PRODUCT SPEC		SCALE 1:1	
-		APPLICATION SPEC		CAGE CODE 00779	
-		-		SHEET 1 OF 1	